



Features

- Smooth temperature adjustment (10°C do 65°C)
- Drying towels
- User friendly
- Energy efficiency
- Anti-freeze function



General characteristics of heating elements:

Working environment : water, water / glicol

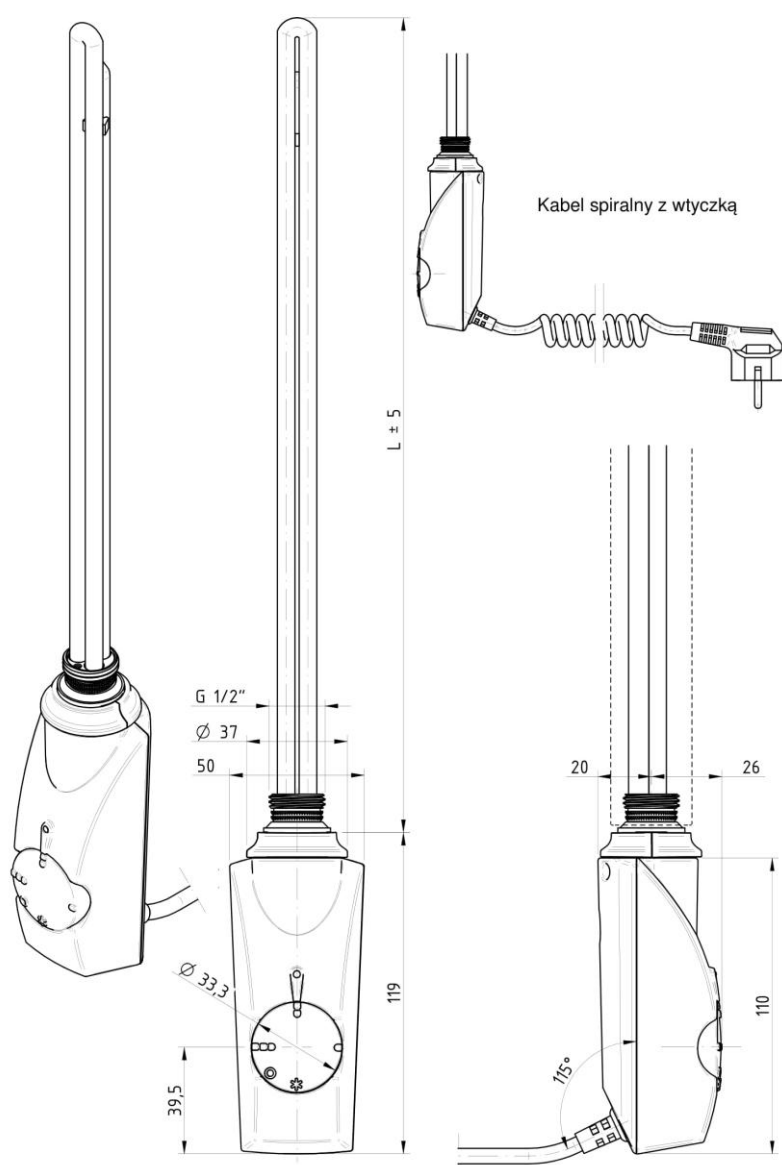
Operating temperature : adjustable within 0 - 65 °C.

Supply voltage: 230V

Electrical connection : „UNISCHUKO” plug cable or straight cable for hardware connction

Fastening method: R 1/2" orifice

[IP] : IP 54



Available colours :

white, chrome, black (other colours are available on request)

Available outputs: 300, 600, 900, 1200 i 1500W