



The heater can work separately (the remote controller in set) or it can be connected with H+P programmer (Home + system)

Features

- Smooth temperature adjustment (10°C do 65°C)
- **Ambient temperature control** (10°C do 30°C)
- **programming daily/weekly**
- **Turbo function** (full heating for a set period 1,2 or 3 hours)
- Anti-freeze function
- Energy efficiency
- **Remote controller**
- Compatibility with Home +System
- Detachable heating element – easy mounting.
- **LED display**
- Casing cover matching heater to the shape of the radiator. O,D,square, rectangle or universal
- cable cover

**General characteristics of heating elements:**

Working environment : water, water / glicol

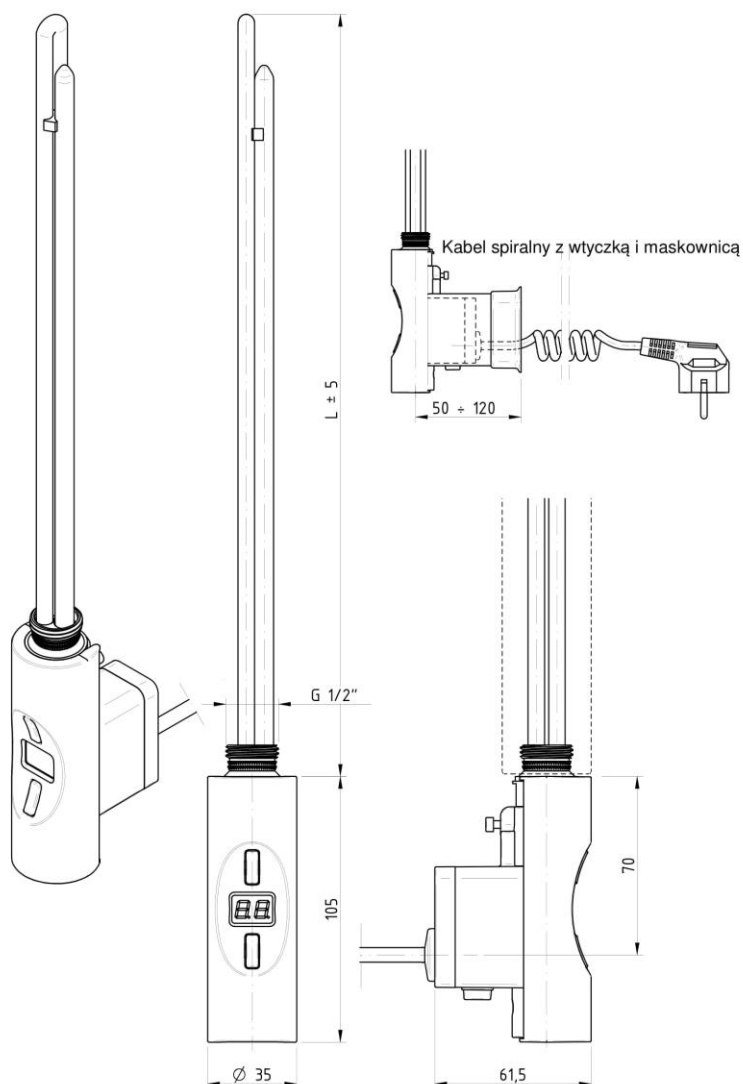
Operating temperature : adjustable within 0 - 65 °C.

Supply voltage: 230V

Electrical connection : „UNISCHUKO” plug cable or straight cable for hardware connction

Fastening method: R 1/2" orifice

[IP] : IP 54



Available colours :

white, chrome, black (other colours are available on request)

Available outputs: 300, 600, 900, 1200 i 1500W