



Heater can work separately (paired with H+R remote controller) or can be connected to Home + system (work with H+P programmer).

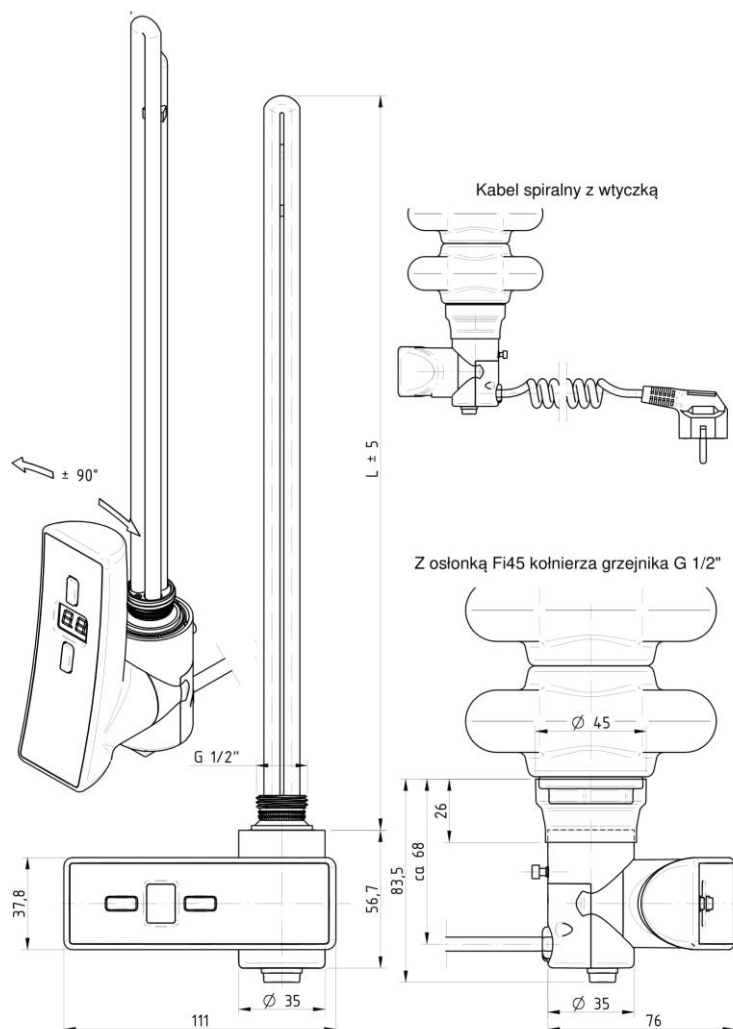
Features :

- Smooth temperature adjustment (10°C do 65°C)
- Ambient temperature sensor (10°C do 30°C)
- **Programming daily/weekly**
- Turbo function (full heating for a set period 1,2 or 3 hours)
- Anti – freeze function
- Energy efficiency
- **Remote controller**
- Compatibility with HOME + SYSTEM
- Detachable heating element
- **LED display**
- Cable cover
- Casing covers matching heater to the shape of the radiator



General characteristics

- Working environment: water, water/glicol
- Operating temperature: adjustable within 0–65 °C.
- Supply voltage: 230 V
- Electrical connection: “UNISCHUKO” plug cable.
- Fastening method: R ½” (300, 600, 900 and 1200 W models) or R ¾” orifice (1500 and 2000 W models).



Available colours :

White, chrome, black, anthracite, satin, steel, texture grey, texture dark grey

Available outputs: 300, 600, 900, 1200 i 1500, 2000 W